

**CBV beam clamps**



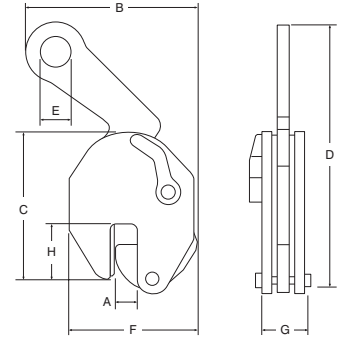
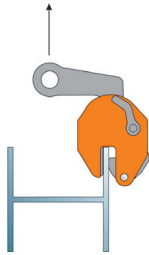
Designed for safe lifting and transportation of steel beams in vertical position.

**Application**

- For vertical lifting, transportation and stacking of steel (H) beams, profiles and structures where the load must stay perfectly in position
- Especially recommended for transportation and stacking of steel (H) beams (e.g. when sawing of steel beams, stacking of steel beams and building of steel constructions)
- Jaw openings available from: 0 to 25 mm.
- note: the plate surface of the material must have a hardness level of max. Hrc 37/345 Hb
- **Minimum weight to be lifted is 10% of the safe workload.**

**Norm:**

- EN12100-1/2, EN13155, AS4991, ASME-B30,20



Type	WLL (kg)	Jaw opening (mm)	A (mm)	B (mm)	C (mm)	D (mm)	E (mm)	F (mm)	G (mm)	H (mm)	Weight (kg)	ProductId
CBV-1.0	1000	0-15	0-15	175	150	226	35	130	35	47	4	3313000
CBV-2.0	2000	0-20	0-20	265	200	345	60	165	56	67	8	3313001
CBV-3.0	3000	0-25	0-25	325	235	410	72	192	77	65	16	3313002

**COBK beam lifting clamp**



COBK beam lifting clamp is made with a safety mechanism that makes sure that the beam cannot slide out of the clamp during transport. The clamp is locked in open and closed position.

**Application**

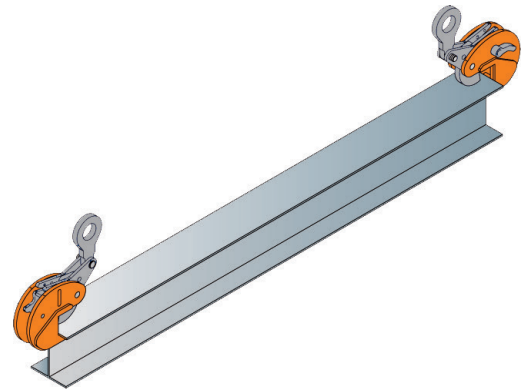
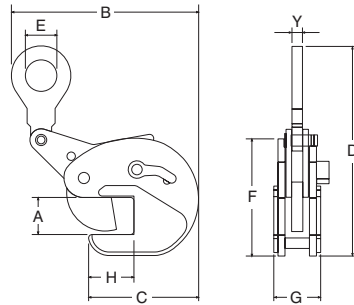
- For horizontal lifting, transportation and stacking of steel (H) beams, profiles and structures.
- Jaw openings available from: 3 to 20 mm.

**Norm:**

- EN12100-1/2, EN13155, AS4991, ASME-B30,20

**Option**

- Other capacities and jaw openings.



Type	WLL/pair (kg)	Jaw opening (mm)	A (mm)	B (mm)	C (mm)	D (mm)	E (mm)	F (mm)	G (mm)	H (mm)	Y (mm)	Weight/pair (kg)	ProductId
COBK-2.0	2000	3-20	3-20	285	157	295	64	155	67	65	17	19	3313022